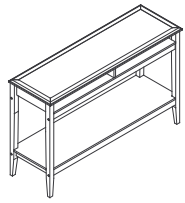

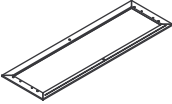
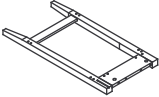
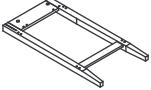


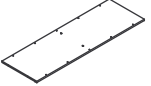


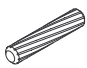
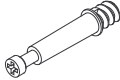

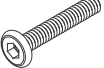





FARUS



							
A x 1	B x 1	C x 1	D x 1	E x 1	F x 1	G x 1	H x 1
							
I x 4	a x 30	b x 6	c x 6	d x 8	e x 8	f x 14	g x 14

